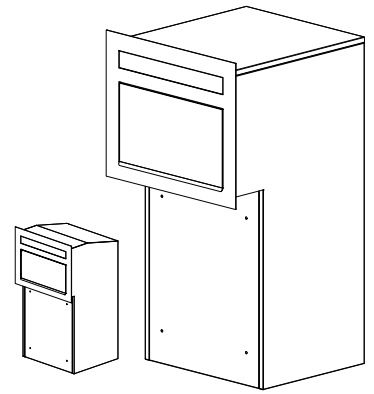


# Miami/Miami II Parcel Box

3037F & 3037W



## Contents

- 1 x Front Panel
- 1 x Back Box
- 1 x Accessories Bag

## Choosing a suitable location

The Miami/Miami II Parcel Letter box can be either mounted into a timber fence or built into a brick or block wall. You will need to install it in a location that is easily accessible.

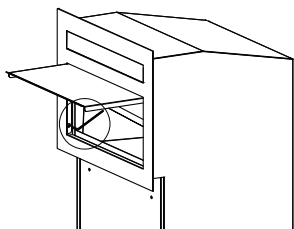
Ideally Miami would be mounted in a fence-type scenario and Miami II would be fitted into a wall, however this could vary on a case-by-case basis.



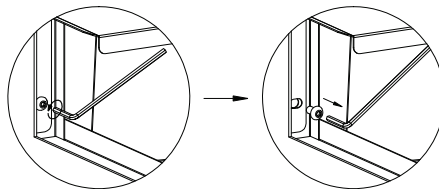
**Please note:** These installation instructions are for guidance only. You may need to adapt how the item is installed to suit your situation.

## Removing the Front Panel for Installation

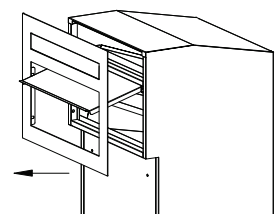
1. Open the front parcel door



2. Unscrew the bolts on the left and right side pictured below



3. The front panel should now be removable



**Continue reading for installation instructions**

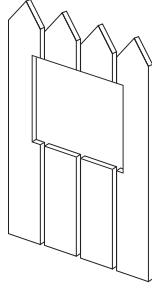
## Timber Fence Installation

## Brick Wall Installation

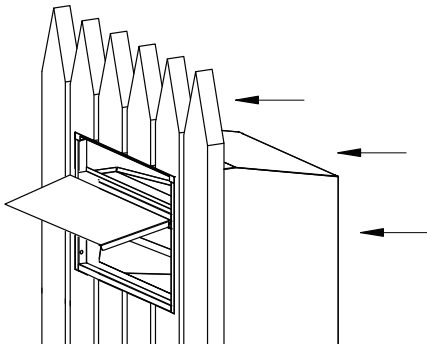
### Tools required

Drill + Timber drill bit (Masonry bit for brick), Tape measure, Jigsaw, Pencil, Spirit level

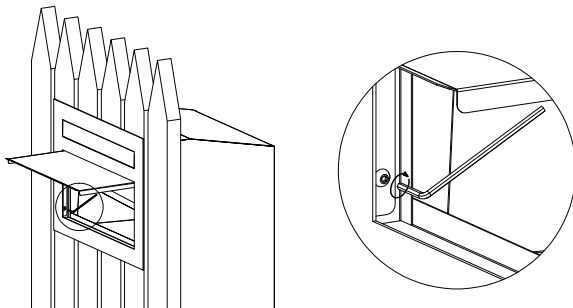
1. Measure the box parcel chute opening, mark and cut a slightly larger hole into the fence using a jigsaw.



2. Slide the parcel box through the hole from the rear of the fence. Fix it to the fence with the screws provided using the 4 pre-drilled holes in the front of the back box. (for hardwood fences, it is easier to pre-drill the screw holes). This step will be easier with two people.



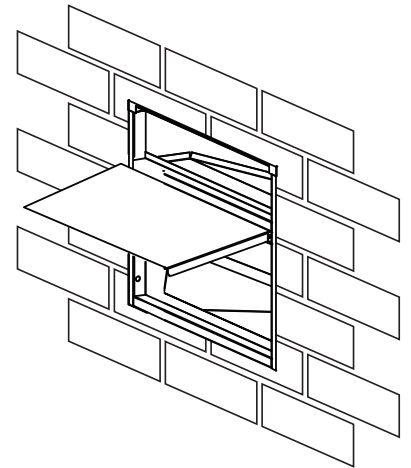
3. Attach the front panel by inserting the bolt you took out prior to commencing fitting.



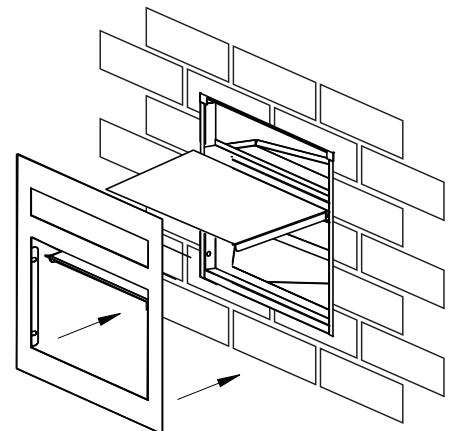
**Please note:** depending on the depth of your fence you may need to put spacer between the back of your fence and the parcel box to ensure the front of the parcel box is flush with the front of the fence.

1. Build the brickwork up to the desired level and set the back box in place.
  - ↳ Plain brick walls – the front should sit flush with the wall.
  - ↳ Rendered walls – set the back box forward to allow for the render thickness

2. Complete the remaining brickwork around the Parcel Letter Box.



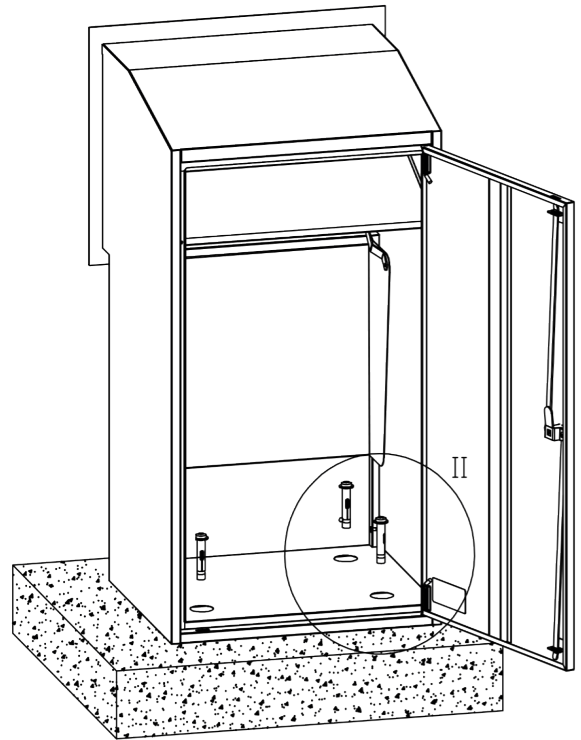
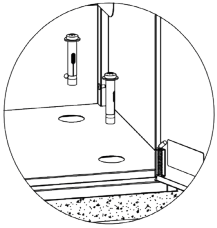
3. Once the brickwork and any rendering has been completed, attach the front panel by inserting the fixing bolts.



## Ground-mounted

Depending on your preference you may choose to bolt the parcel box to the floor, even if it is also being installed through a fence or even a wall.

1. Set the parcel box in the desired location.
2. Open the retrieval door and mark the four pre-drilled holes at the bottom.
3. Remove the parcel box and drill holes in the marked places, observing the correct diameter and depth, which needs to be 12mm wide and 60mm deep.
4. Re-position the Parcel Box and insert the bolts and washers and tighten the box securely to the ground.



## Using your Parcel Box

The door offers an easy and convenient means of retrieving your parcels and mail.

Parcels can be delivered via the front chute. The courier simply opens the chute, places the parcels inside and then closes the chute. The parcel will fall into the retrieval area at the bottom.

If the parcel is too big, you can give the pin number to the courier, for them to access the secure compartment.