

Milan Letterbox 8188

Tools required

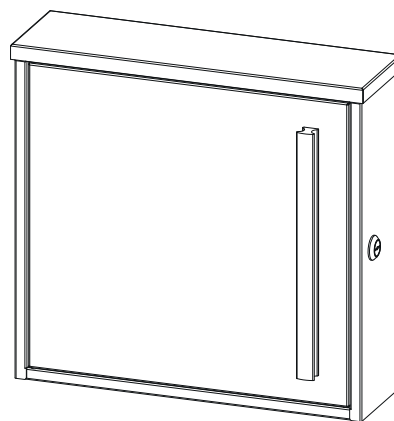
Hammer drill

6mm masonry drill bit OR 3mm wood drill bit



Keep spare keys in a safe place

Blank keys are available for purchase on our website



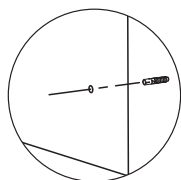
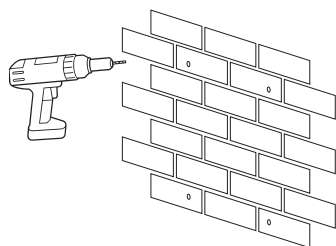
Mounting onto a Brick Wall

Mounting onto a Timber Fence

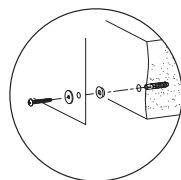
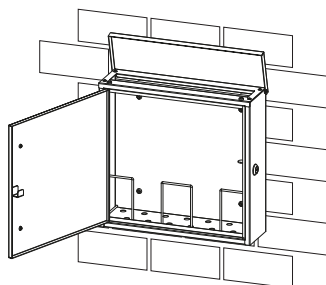


Remove rubber bungs from screw holes before installation

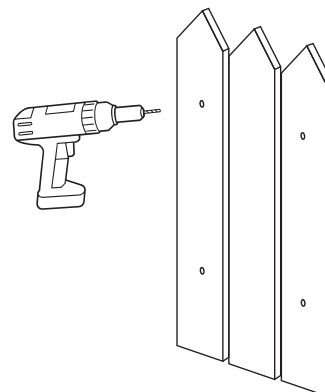
1. Mark hole locations, drill four 6mm holes and insert wall plugs provided.



2. Mount the letterbox onto the brickwork with the washers, screws and spacers provided.



1. Mark hole locations and drill four 3mm holes.



2. Mount letterbox to the fence with the washers, screws and spacers provided.

